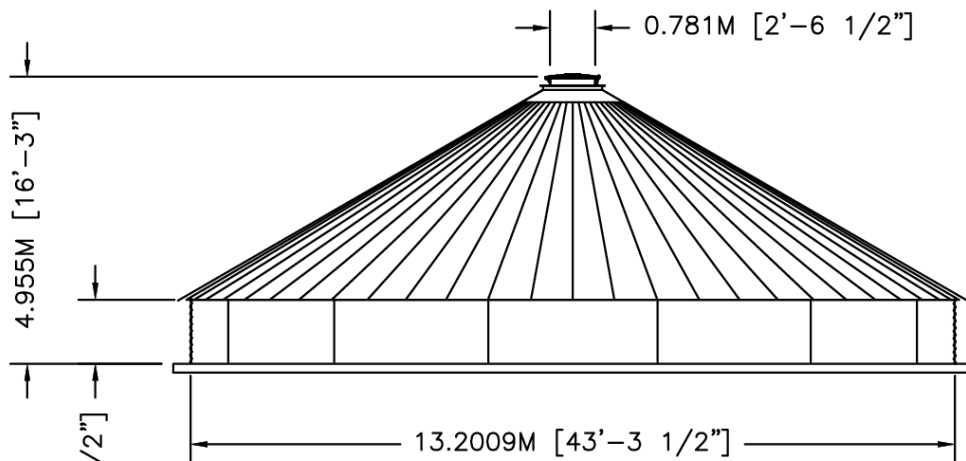


**PLAN**



**ELEVATION**



	BY	DATE
DWN	XXX	XX/XX/XX
CKD		
ENG		

TITLE		REV. NO.
WTU14-01 30"PR 30DEG V-RIB		
NOMINAL CAPACITY - 133.841 M3 [35,357 GAL]		
DWG. NO.	SCT4301-VR WTU14-01	REV. NO.
SIZE:	SCALE:	SHEET OF
A	3/32"=1'-0"	1 OF 1